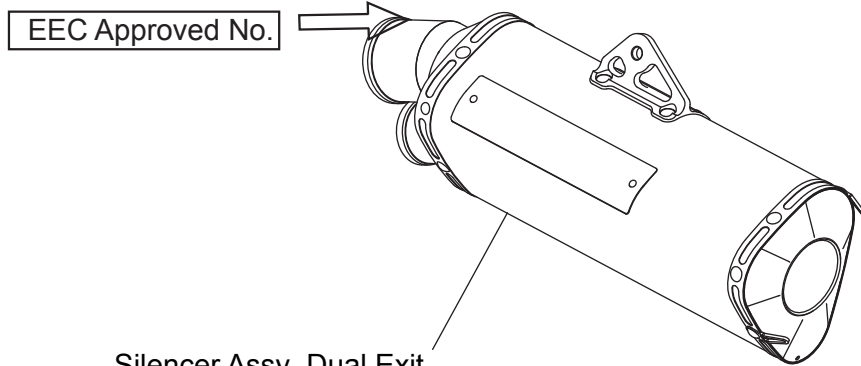


YOSHIMURA TRI-OVAL SLIP-ON DUAL EXIT & CARBON END SUZUKI GSX-R600/750K8 EEC APPROVED



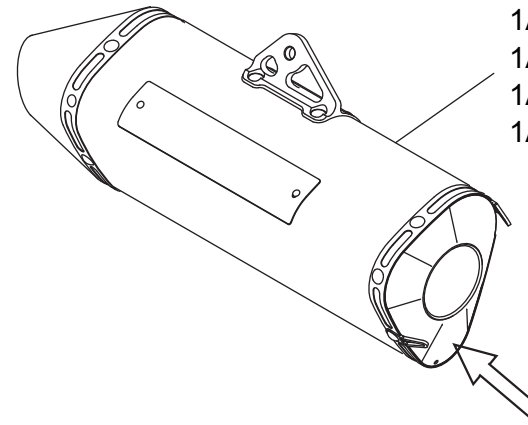
Tri-Oval Dual Exit
 Metal Magic Sleeve ; 1A0-569-5H21
 Stainless Sleeve ; 1A0-569-5H51
 Titanium Sleeve ; 1A0-569-5H81
 Carbon Sleeve ; 1A0-569-5H91

Tri-Oval Carbon End
 Metal Magic Sleeve ; 1A0-569-5N21
 Stainless Sleeve ; 1A0-569-5N51
 Titanium Sleeve ; 1A0-569-5N81
 Carbon Sleeve ; 1A0-569-5N91



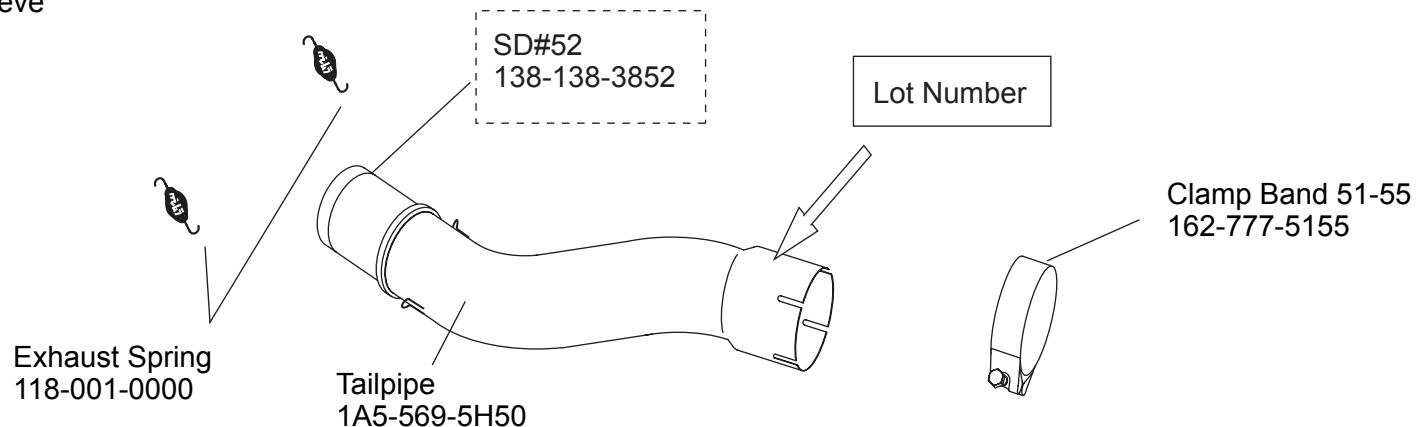
EEC Approved No.

Silencer Assy Dual Exit
 1A6-569-5H21 Metal Magic Sleeve
 1A6-569-5H51 Stainless Sleeve
 1A6-569-5H81 Titanium Sleeve
 1A6-569-5H91 Carbon Sleeve



Silencer Assy Carbon End
 1A6-569-5N21 Metal Magic Sleeve
 1A6-569-5N51 Stainless Sleeve
 1A6-569-5N81 Titanium Sleeve
 1A6-569-5N91 Carbon Sleeve

EEC Approved No.



SD#52
 138-138-3852

Lot Number

Exhaust Spring
 118-001-0000

Tailpipe
 1A5-569-5H50

Clamp Band 51-55
 162-777-5155