



SUZUKI GSX-R1000/R OPTIONAL EXHAUST PIPE for R-11Sq R

Product information



Be sure to read the instruction carefully before starting the work. It is necessary to follow the contents to install Yoshimura product.

CAUTION Before beginning installation, let motorcycle cool down.

CAUTION Be sure not to damage each part during installation.

CAUTION Torque specification must be followed. If neglected, it may cause bolt and nut to fall off and damage to Yoshimura product and motorcycle.

1. Product Information :

Description	SUZUKI GSX-R1000/R Optional Exhaust Pipe for R-11Sq R		
Part Number	194-50A-0040	Main Material	Stainless steel
Cyclone Type	S50AS1QC3	Weight [STD : 7.2kg]	4.3kg

2. Applicable Model :

Applicable Model	SUZUKI GSX-R1000/R 17- Yoshimura Slip-On R-11Sq R only
Application	<SUZUKI GSX-R1000/R 17- EEC Slip-On R-11Sq R Euro4> Part number : 1F0-50A-L1xGx



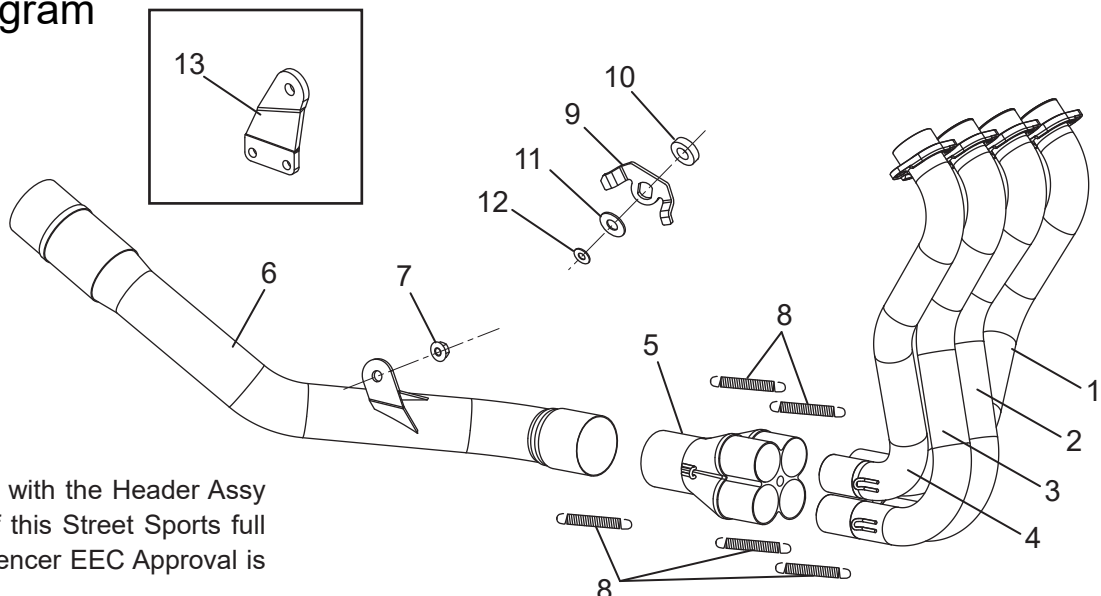
3. Optional Part :

Description	Part No.
SILENCER BRACKET SET	194-50A-0020

4. Contents:

No.	Descriptions	Part No.	Q'ty	No.	Descriptions	Part No.	Q'ty
1	Exhaust Pipe #1	181-50A-C100	1	9	Exhaust Control Valve Canceller Bracket	148-984-0021	1
2	Exhaust Pipe #2	182-50A-C100	1	10	Aluminum Spacer 12-20-7	860-012-2007	1
3	Exhaust Pipe #3	183-50A-C100	1	11	Washer M12	812-512-1815	1
4	Exhaust Pipe #4	184-50A-C100	1	12	Washer M5	812-205-1512	1
5	Exhaust Collector	119-414-5000	1	13	Silencer Bracket	161-50A-0270	1
6	Tailpipe	185-50A-C100	1	*	Spring Inner Tube	118-000-1100	5
7	Flange Nut M8	823-008-1250	1	*	Heat Resistant Sheet	896-001-005A	1
8	Exhaust Spring Long	118-000-1000	5				

Parts Diagram



CAUTION

In combination with the Header Assy and Tailpipe of this Street Sports full system, the silencer EEC Approval is invalid.