

SUZUKI GSX-R1100G/H/J / GSX-R750F/G/H Exhaust Bracket with Passenger's Foot Peg

Product information



Be sure to read the instruction carefully before starting the work. It is necessary to follow the contents to install Yoshimura product.

CAUTION Before beginning installation, let motorcycle cool down.

CAUTION Be sure not to damage each part during installation.

CAUTION Torque specification must be followed. If neglected, it may cause bolt and nut to fall off and damage to Yoshimura product and motorcycle.

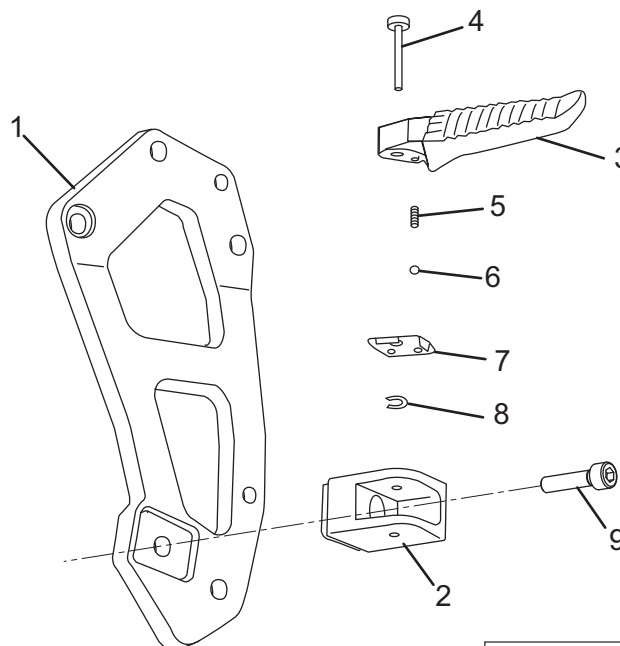
1. Product Information :

Description	SUZUKI GSX-R1100G/H/J('86-'88) / GSX-R750F/G/H('85-'87) Exhaust Bracket with Passenger's Foot Peg		
Part Number	194-511-0010	Main Material	Aluminum

2. Contents:

No.	Descriptions	Part No.	Q'ty	No.	Descriptions	Part No.	Q'ty
1	Passenger's Foot Peg Bracket Plate R	161-511-0210	1	6	Ball	553-502-0004	1
2	Passenger's Foot Peg Bracket Holder R	116-584-1100	1	7	Plate	553-502-1005	1
3	Step Bar	553-502-1001	1	8	E-Ring	553-502-0006	1
4	Pin	553-502-0002	1	9	Cap Bolt M8x20	800-208-5020	1
5	Spring	553-502-0003	1				

Parts Diagram



REFERENCE Contents are preassembled.

3. Applicable Product :

○ GSX-R1100G/H/J / GSX-R750F/G/H Street Sports Full System (180-511-5250 / -5280 / -5280B / -5290)

4. Installation Steps :

1) Check that all the component parts are in hand.

REFERENCE If Yoshimura Street Sports Full System is already installed, remove Silencer Assembly, Silencer Bracket and seat fairing R.