

KAWASAKI ZX-10R '11- STREET SPORTS SLIP-ON R-77J STAINLESS END / CARBON END

Be sure to read the instruction carefully before starting the work. It is necessary to follow the contents for installing Yoshimura Slip-On.

1. Product Information:

Description	Kawasaki ZX-10R '11- Street Sports Slip-on	Part Number (Stainless End)	Stainless Sleeve ; 170-286-5V50
	R-77J Stainless End / Carbon End		Metal Magic Sleeve ; 170-286-5V20
Cyclone Type	KSR286S77C1		Titanium Sleeve ; 170-286-5V80
Main Material	Stainless Steel	Part Number (Carbon End)	Stainless Sleeve ; 170-286-5W50
Weight [STD; 6.8kg]	Stainless End / (SS)&(SM) : 3.1kg, (ST) : 2.9kg		Metal Magic Sleeve ; 170-286-5W20
	Carbon End / (SS)&(SM) : 3.0kg, (ST) : 2.8kg		Titanium Sleeve ; 170-286-5W80

※Part Number of additional lineup (Titanium Blue) : Add a letter "B" behind a Titanium item. (e.g. Set : 170-xxx-xx8xB / Silencer Assy : 176-xxx-xx8xB)

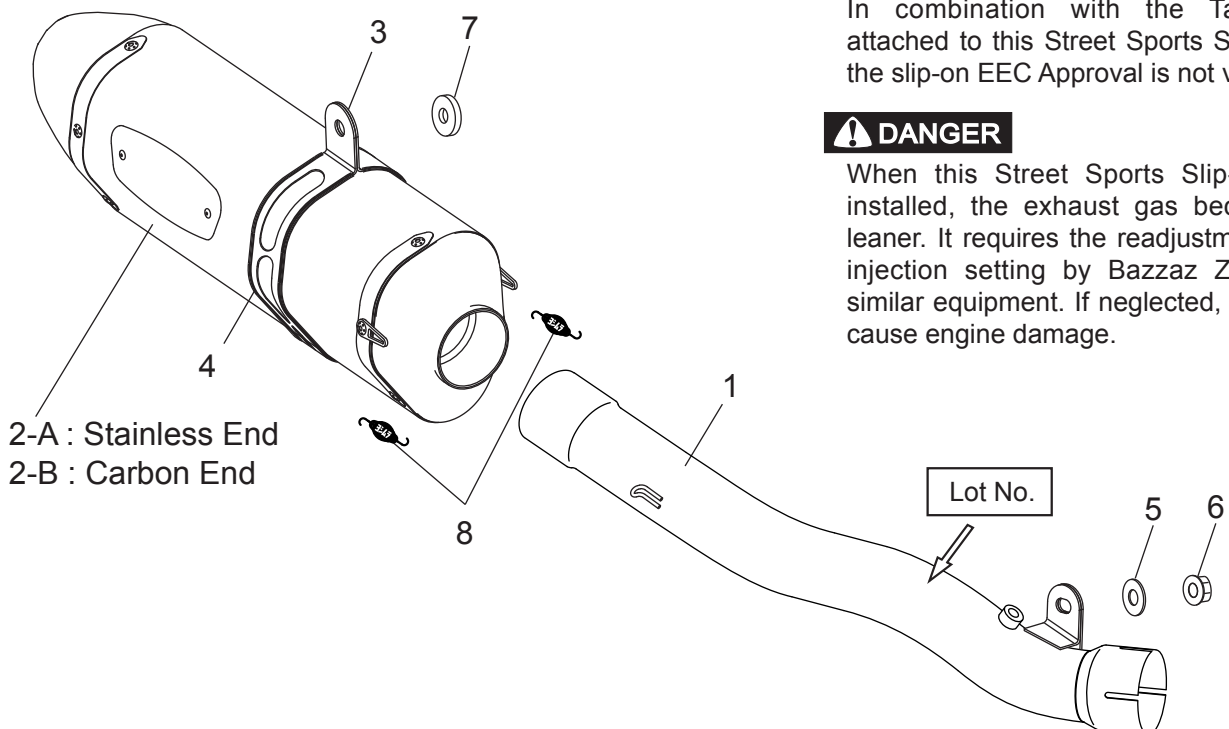
2. Applicable

Model	Kawasaki ZX-10R '11-
Type of Engine	ZXT00JE

3. Contents:

No.	Descriptions	Part No.	Q'ty	No.	Descriptions	Part No.	Q'ty
1	Tailpipe	185-286-5V50	1	3	Silencer Band	162-CLX-1121	1
2-A	Silencer Assy, Stainless Sleeve	1A6-286-5V50	1	4	Silencer Band Rubber	896-016-0835	1
	Silencer Assy, Metal Magic Sleeve	1A6-286-5V20		5	Washer M10x22	812-110-2216	1
	Silencer Assy, Titanium Sleeve	1A6-286-5V80		6	Flange Nut M10 P1.25	823-010-1250	1
2-B	Silencer Assy, Stainless Sleeve	1A6-286-5W50	1	7	Spacer 8-28-5	860-008B2805	1
	Silencer Assy, Metal Magic Sleeve	1A6-286-5W20		8	Exhaust Spring	118-001-0000	2
	Silencer Assy, Titanium Sleeve	1A6-286-5W80					

Parts Diagram



CAUTION

In combination with the Tailpipe attached to this Street Sports Slip-on, the slip-on EEC Approval is not valid.

DANGER

When this Street Sports Slip-on is installed, the exhaust gas becomes leaner. It requires the readjustment of injection setting by Bazzaz Z-Fi or similar equipment. If neglected, it may cause engine damage.